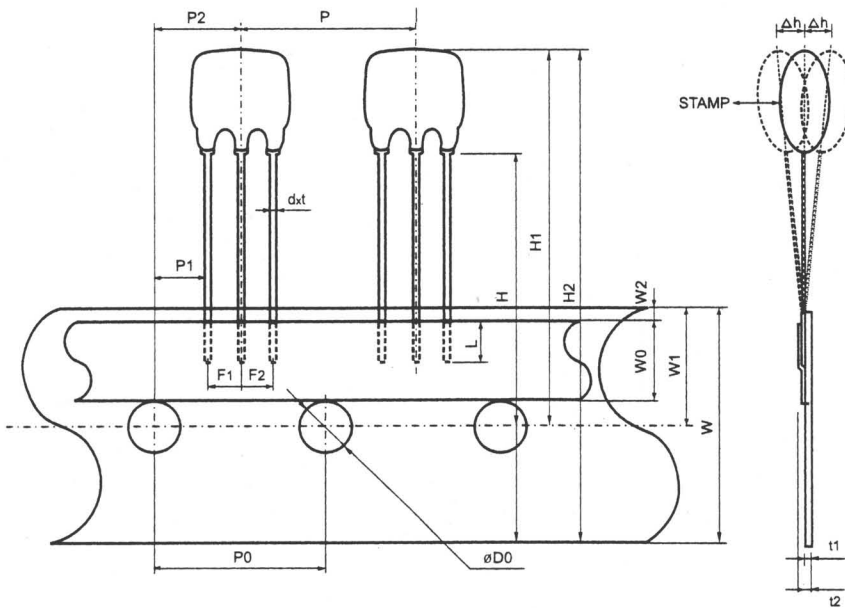


Mark	Size(mm)
P	12.7±0.5
P0	12.7±0.2
P1	3.85±0.5
P2	6.35±1.3*
F	5.0 ^{+0.5} _{-0.3}
dxt	0.5×0.3(±0.1)
W	18±0.5
W0	5.5±0.5
W1	9.0±0.5
W2	1.0max
H	18.0 ^{+0.5} _{-1.0}
H1	27.0max**
H2	36.0max**
L	3.0min
ΦD0	4.0±0.2
t1	0.6±0.2
t2	1.5max
Δh	1.0max

* Include the slant of products
 ** * Varies with part number



Mark	Size(mm)
P	12.7±0.5
P0	12.7±0.2
P1	3.85±0.5
P2	6.35±1.3*
F1	2.5±0.3
F2	2.5±0.3
dxt	0.5×0.3(±0.1)
W	18±0.5
W0	5.5±0.5
W1	9.0±0.5
W2	1.0max
H	18.0 ^{+0.5} _{-1.0}
H1	27.0max**
H2	36.0max**
L	3.0min
ΦD0	4.0±0.2
t1	0.6±0.2
t2	1.5max
Δh	1.0max

* Include the slant of products
 ** * Varies with part number

* 2Kpcs per box