

GPS/GNSS External Active Antennas

Product Number : ATG4336 (Adhesive Mount)
ATG4336M (Magnetic Mount)

1. Picture



TOP



BOTTOM

2. Electrical Characteristics

Antenna		
1	Antenna model	2540A (25mm*25mm*4mm)
2	Frequency Range	GPS : 1575.42MHz±1.02MHz
3	V.S.W.R	< 2.0 MAX
4	Band With@10dB	> 10MHz
5	Gain	5.0 dB typ @70mm*70mm groundplane
6	Impedence	50Ω
7	Polarization	RHCP
LNA		
1	Frequency Range	1575.42MHz±1.02MHz
2	DC Voltage	3.3±0.3V
3	DC current	11±2mA(@3.0V)
4	Gain	GPS :28±3dB(without cable @25°C±10°C)
5	Output VSWR	2.0 MAX
6	Noise Figure	1.8 MAX

3. Material

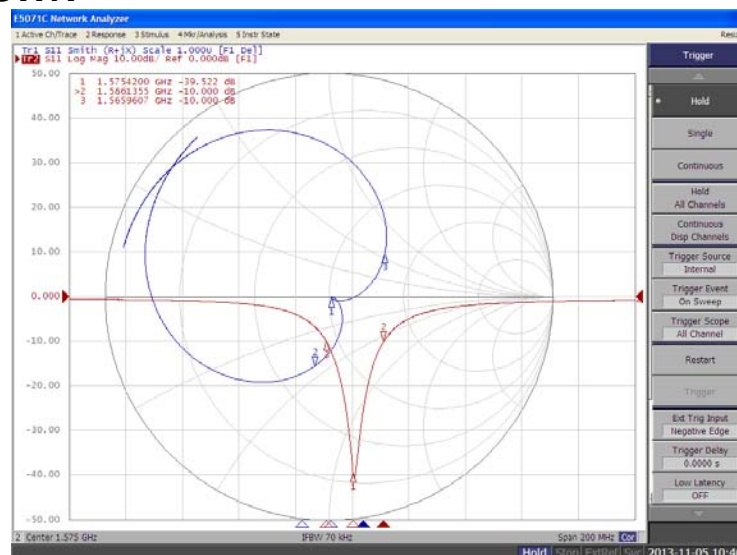
No	Part Name	SPEC
1	Patch Antenna	Dielectric Ceramics
2	Shielding	Tinplate
3	PCB	FR4
4	Housing	ABS (black)
		42.6mm×36.4mm×13.5mm
5	RF Cable	RG174
		L=3M
6	RF Connector	SMA-MALE (Optional)
7	Adshesive	3M

4. Environment Condition

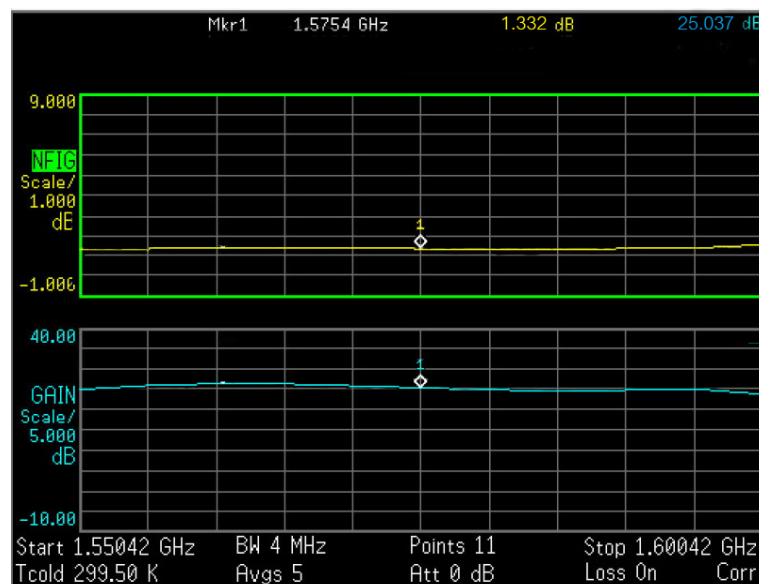
1	Working Temp	-40°C ~ +85°C, 10% ~ 95% RH
2	Storage Temp	-55°C ~ +100°C, 10% ~ 95% RH
3	Vibration	Sine sweep @1.5mmAM 10~55Hz each Axis
4	Waterproof	IP66

5. Testing Curve

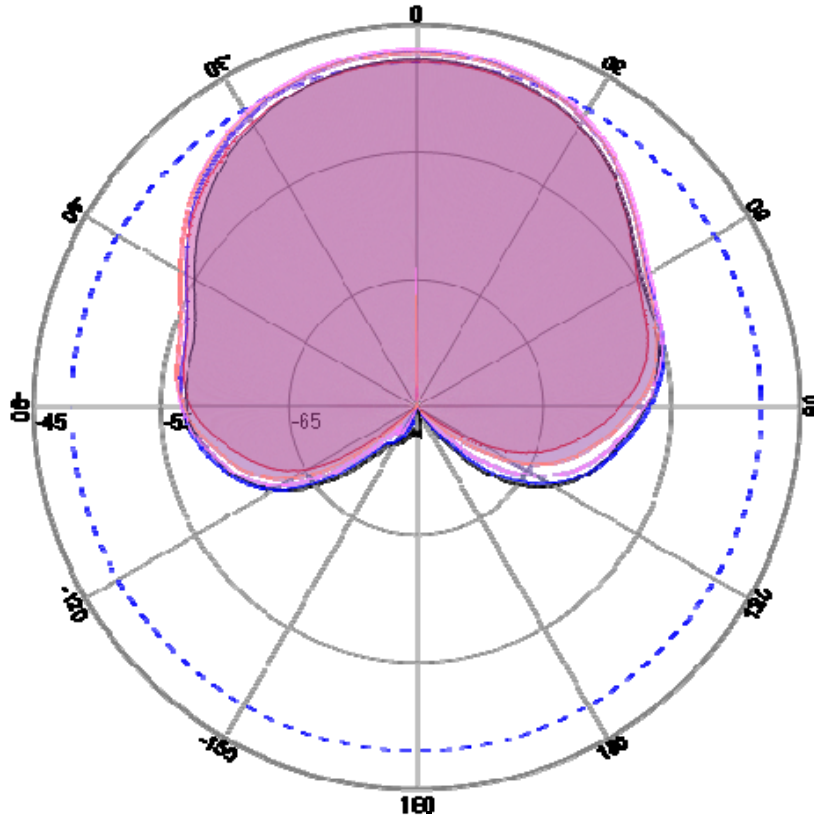
5.1 Patch Simth & VSWR



5.2 Noise Figure



5.3 Patch Directional diagram



测试频率: 1585
测试时间: 2013-11-5
峰值电平: -47.92
主瓣增益: 4.92
方向性值: 7.80

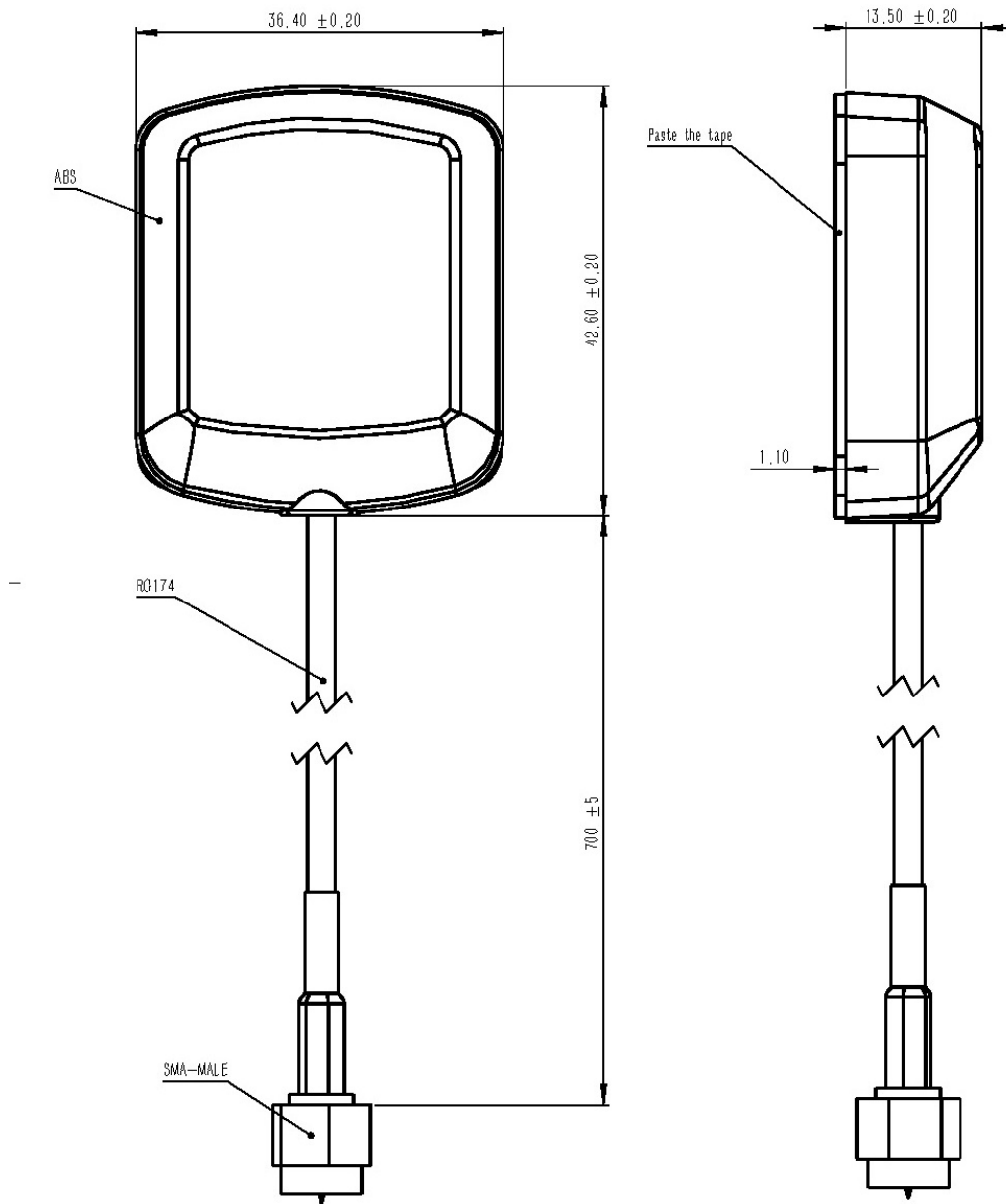
测试频率: 1585
测试时间: 2013-11-5
峰值电平: -47.75
主瓣增益: 4.39
方向性值: 7.38

测试频率: 1570
测试时间: 2013-11-5
峰值电平: -47.87
主瓣增益: 5.32
方向性值: 7.43

测试频率: 1575
测试时间: 2013-11-5
峰值电平: -48.04
主瓣增益: 5.80
方向性值: 7.47

测试频率: 1580
测试时间: 2013-11-5
峰值电平: -47.12
主瓣增益: 5.17
方向性值: 7.85

6. Drawing



7. Characteristics and Reliability Test

Test Items		Test Condition and Procedure	Requirements
C1	S.W.R.	Set DUT on Network Analyzer; make individual calibration to test	Directive DUT specification
C2	Antenna Gain	Set DUT on Antenna Chamber; make individual calibration to test	Directive DUT specification
M1	Vibration	MIL-STD-202G, 201A Amplitude: 0.03 inch (0.76mm); Freq: 10 to 55 Hz 3 directions; 2 hours for each direction	1. No Visual Damage 2. Frequency Tol.<= 5%
M2	Random Drop	Height: 1.5 Meter; 3 directions; 1 time for each direction	1. No parts separated 2. Frequency Tol.<= 5%
M3	Solderability	MIL-STD-202G, 210F, cond. A Solder iron: 350±10°C; Duration: 5 seconds	1. Mounted on PCB 2. No Visual Damage
M4	Terminal-Pull Test	MIL-STD-202G, 211A, cond. A Holding with individual specification; force applied to axis of terminal	1. Directive DUT specification 2. Frequency Tol.<= 5%
M5	Terminal-Torque Test	MIL-STD-202G, 211A, cond. E Holding with individual specification; applied clockwise and counterclockwise to the axis of terminal	1. Directive DUT specification 2. Frequency Tol.<= 5%
M6	Dimension	Inspection of dimension, color, material, package, surface process	Directive DUT specification
E1	Salt Spray	MIL-STD-202G, 101E, cond. B Temp: 35°C; RH: >= 95%; NaCl solution: >= 5%; Time: 48 hours	After 2 Hours Recovery 1. No Visual Damage 2. Frequency Tol.<= 5%
E2	Humidity	MIL-STD-202G, 103B, cond. B Temp: 40°C; RH: >= 95%; Time: 48 hours	After 2 Hours Recovery 1. No Visual Damage 2. Frequency Tol.<= 5%
E3	Thermal Shock	1 Cycle: - 40°C (30 minutes) to + 80°C (30 minutes) Cycles: 24	After 2 Hours Recovery 1. No Visual Damage 2. Frequency Tol.<= 5%
E4	Life (High Temp.)	MIL-STD-202G, 108A, cond. A Temp: 85°C; Time: 96 hours	After 2 Hours Recovery 1. No Visual Damage 2. Frequency Tol.<= 5%
R1	RoHS	With Reference to IEC 62321:2008 with flow chart	Directive RoHS 2002/95/EC
R2	PFOS	With Reference to USA EPA 3540C:1996 by LC/MS	Directive RoHS 2006/122/EC
R3	PFOA	With Reference to USA EPA 3540C:1996 by LC/MS	Directive RoHS 2006/122/EC

8. Note

8.1 This product specification guarantees the quality of our product as a single unit. Please make sure that your product is evaluated and confirmed against your specifications when our product is mounted to your product.

8.2 The product will get free warranty for one year since the date of purchase users operate in the correct way; users will have to pay cost of the materials and maintaining fee out of the condition.

8.3 Electrostatic sensitive device. Observe precautions for handling.