

GPS / GNSS Internal Antenna

Product Number:ATIG1840

1、SCOPE

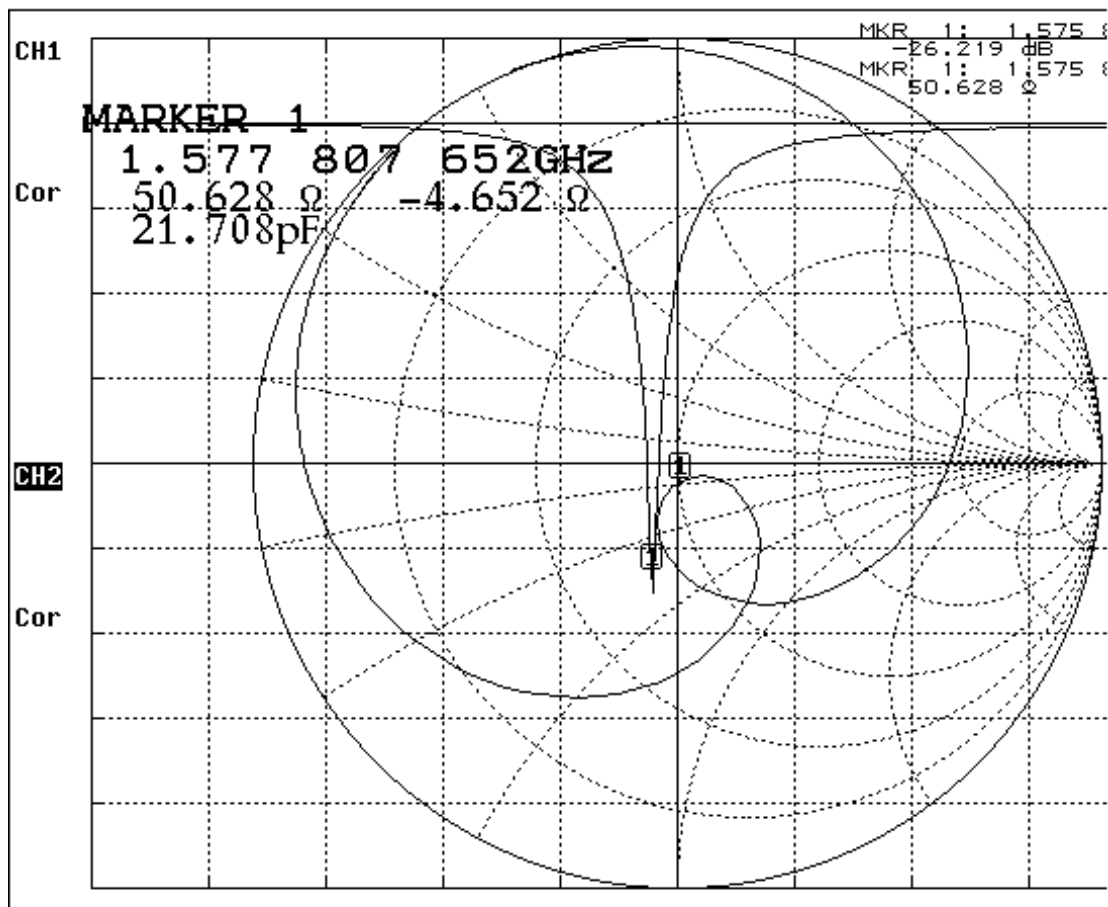
This product can be used as various GPS receivers navigation, GPS clock, positioning.

2、OVERALL PERFORMANCE(Antenna Element, LNA & Cable)

CHARACTERISTICS	SPEC
Center Frequency	1575.42±1.023MHz(When the antenna are placed on the customer's device inside)
Voltage	DC2.7 - 5.0V
Current	13mA max
Gain	25dB typ
Noise Figure	2.0dB max
Bandwidth(10dB return loss)	8 MHz min
Output VSWR	2.0 max
Output Impedance	50ohm
Dimensions	18mm(L)×18mm(W)×6.5mm(H) typ
Weight	8±2g(typ)
Cable	60±2mm (Φ=1.13mm)
Connector	IPEX (Pull=0.4Kg)

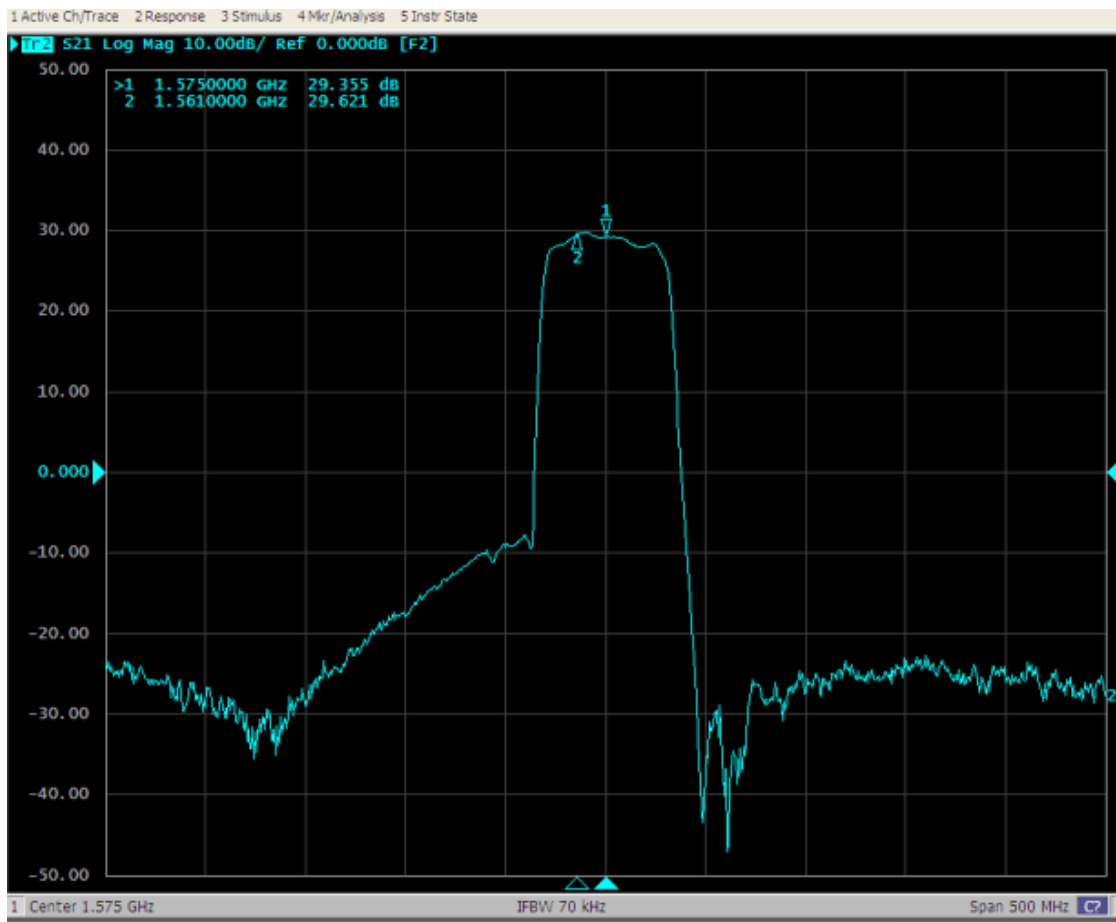
3、Patch antenna

CHARACTERISTICS	SPEC
Dimensions	18mm(L)×18mm(W)×4mm(H) typ
Center Frequency	1575.42±1MHz(18mm(L)×18mm(W) Ground)
Bandwidth(10dB return loss)	8 MHz min
Peak Gain	1.5 dB typ
Output V.S.W.R	2.0dB max
Output Impedance	50ohm
Polarization	R.H.C.P

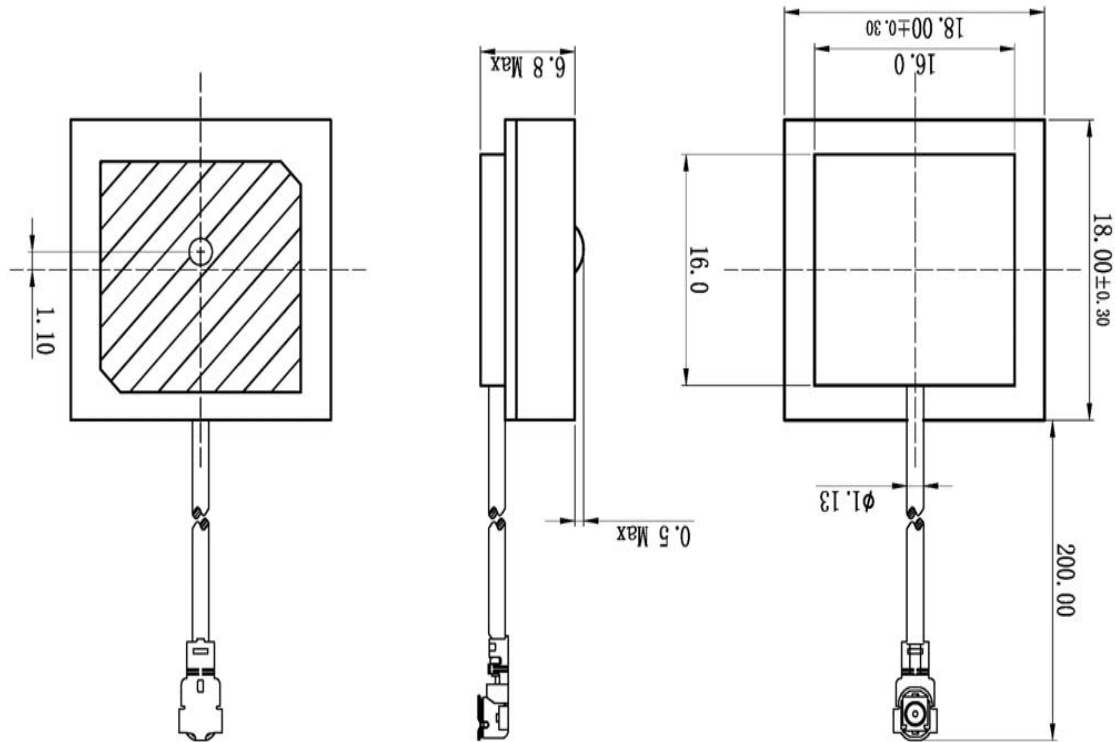


4 · LNA/Filter

CHARACTERISTICS	SPEC
Voltage	DC2.7 - 5.0V
Current	13mA max
Center Frequency	1575.42±1MHz
Gain	25±2dB typ
Noise Figure	1.5dB max
Filter(Out of band attenuation)	SAW filter 30dB min fo±60MHz (fo=1575.42MHz)
Output V.S.W.R	2.0 max



5 · ANTENNA DIMENSIONS



Unit : mm

6 · OPERATING CONDITION

Temperature	-40°C to +85°C
Humidity	10% to 95% RH

7 · STORAGE CONDITION

Temperature	-40°C to +85°C
Humidity	10% to 95% RH

8、Note

8.1、This product specification guarantees the quality of our product as a single unit. Please make sure that your product is evaluated and confirmed against your specifications when our product is mounted to your product.

8.2、We cannot warrant against failure caused by any use of our product that deviates from the intended use as described in this product specification.

8.3、The product will get free warranty for one year since the date of purchase users operate in the correct way; users will have to pay cost of the materials and maintaining fee out of the condition.