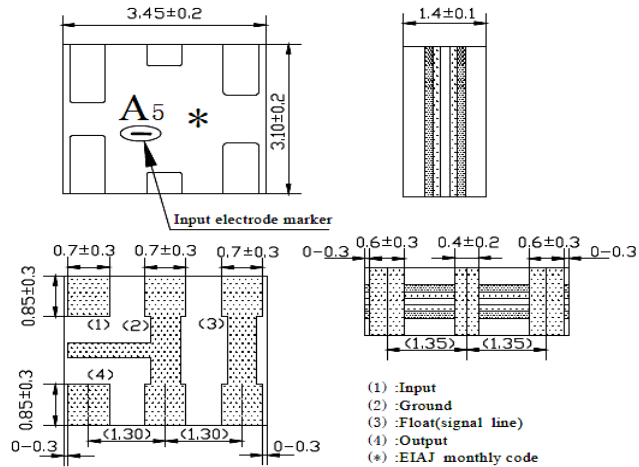
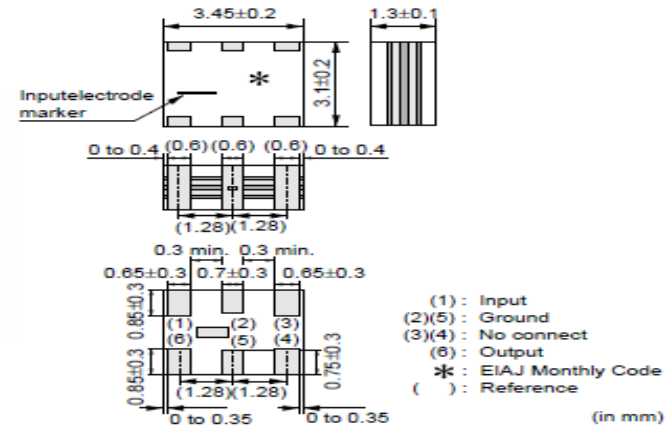


### YIC LTCS10.7MA5

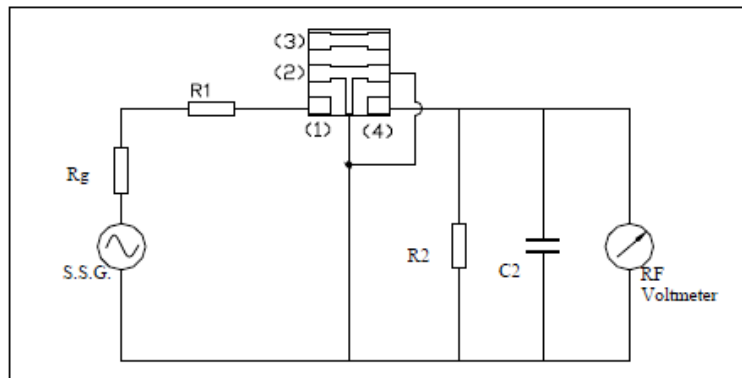
#### Dimensions and mark



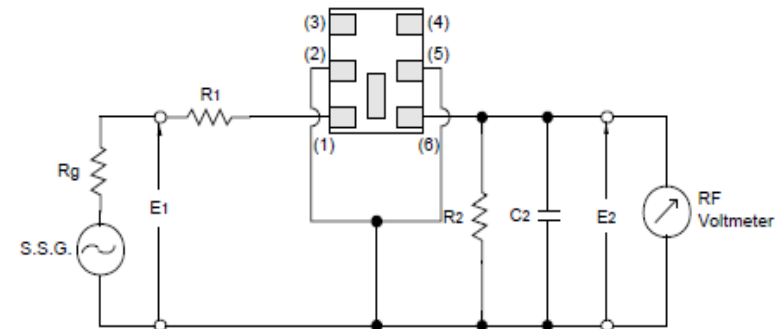
### Murata SFECF10M7FA00-R0



#### Test Circuit



R<sub>1</sub>=280 Ω (1±5%), R<sub>2</sub>=330Ω(1±5%), R<sub>g</sub>=50Ω  
 C<sub>2</sub>=10pF(Including stray capacitance and capacitance of RF Voltmeter)  
 S.S.G.: Output Voltmeter  
 ①:Input ②:Ground ③:Float ④:Output



R<sub>g</sub> = 50Ω R<sub>1</sub> = 280Ω ±5% R<sub>2</sub> = 330Ω ±5%  
 C<sub>2</sub> = 10 ± 2 pF (Including stray capacitance and Input capacitance of RF Volt Meter)  
 E1 : S.S.G. Output Voltage  
 (1) : Input  
 (2)(5) : Ground  
 (3)(4) : No connect  
 (6) : Output