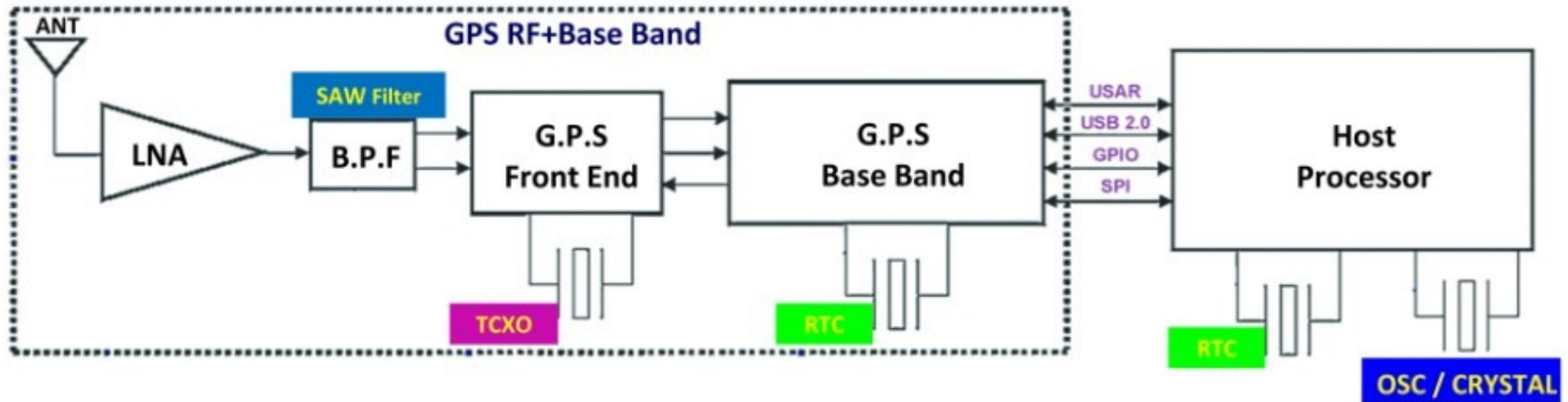


## GPS 元器件 (GPS Products)

### ☆ GPS 頻率元器件 (GPS Frequency Products)



YIC Offer	Frequency	Tolerance	Dimension (mm, LxWxH)
GPS Engine Board	1575.42MHz	L1:1575.42MHz ± 1.023MHz	21.0x18.4x2.8,13.1x15.9,11.4x8.8x2.8
External Antenna			46x38x13
SAW Filter		BW:1574.42 ~ 1576.42 MHz	1.4x1.1x0.7,2.0x1.6x0.8
TCXO	16.367667,16.368,16.369,26 MHz	±0.5ppm	3.2x2.5x1.1,2.5x2.0x1.0,2.0x1.6x0.8
RTC	32.768KHz	±20ppm, ±10ppm	FC-135,MC-146,SM-26B
OSC	12.000 ~ 48.000MHz	±50ppm,±30ppm,±20ppm	7.0x5.0x1.5,5.0x3.2x1.3,3.2x2.5x1.5
CRYSTAL		±30ppm,±20ppm,±10ppm	5.0x3.2x1.0,3.2x2.5x0.7

**YUECHUNG INTERNATIONAL CORP.**

TEL : 886-2-2698-2191 FAX : 886-2-2698-2192 / 2698-2193

E-mail: service@yic.com.tw

**YUECHUNG ELECTRONICS(SHENZHEN) CO.,LTD.**

TEL :86-755-8204-4536 FAX :86-755-8204-4415

E-mail: service\_sz@yic.com.tw

URL: http://www.yic.com.tw